

○ ISOMETRIC VIEW



Title:

**FULL PANEL SYSTEM  
ISOMETRIC VIEW**

**ENGINEERING DIVISION**

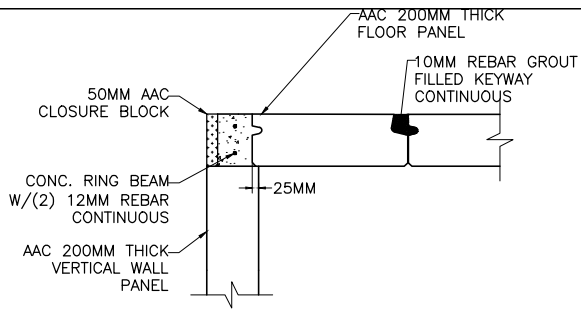
Date: DEC.2016

Scale: N.T.S

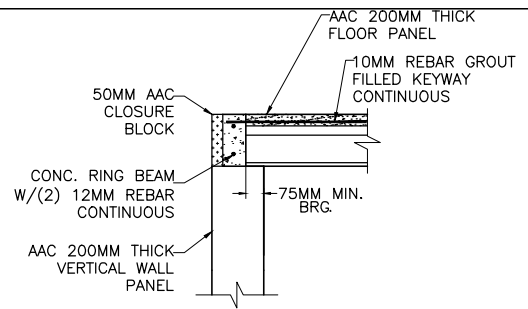
Detail No. EFPD-1

TEL No: +966 13 863 1111 FAX No: +966 13 863 2222  
2833 St. 49th ( St. 67th x St. 166th ) 2nd industrial City  
Dammam 34324 - 7333 Saudi Arabia

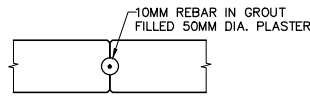
This drawing must be read in conjunction with all the ESPAC Structural Floor Panels Design Guide



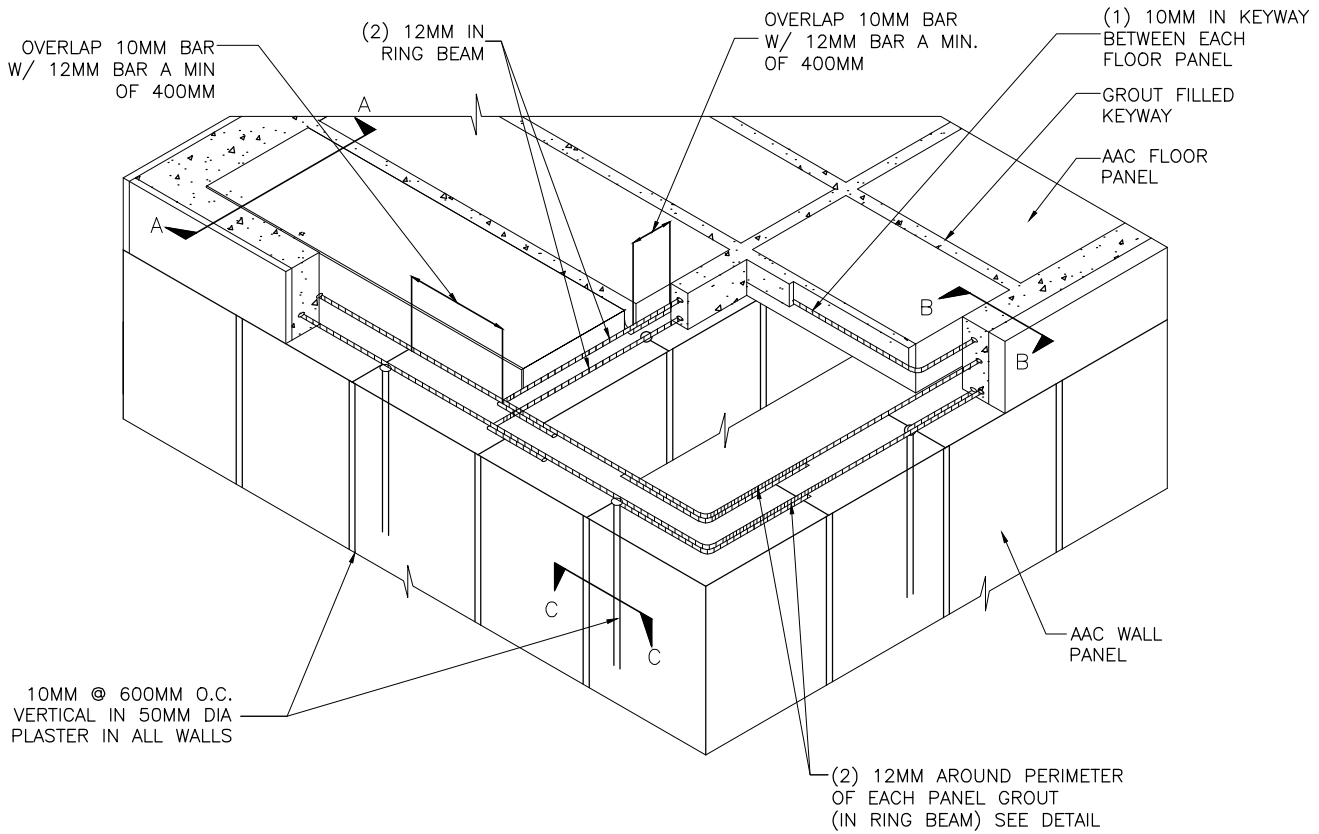
CONCRETE RING BEAM A-A



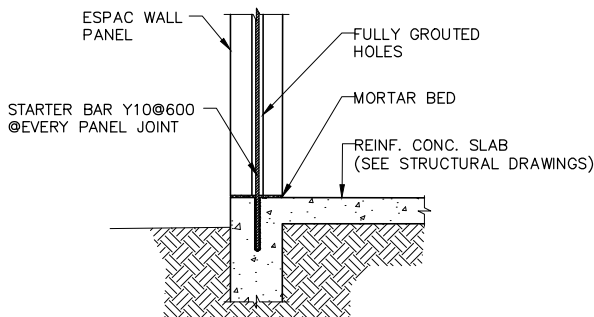
CONCRETE RING BEAM B-B



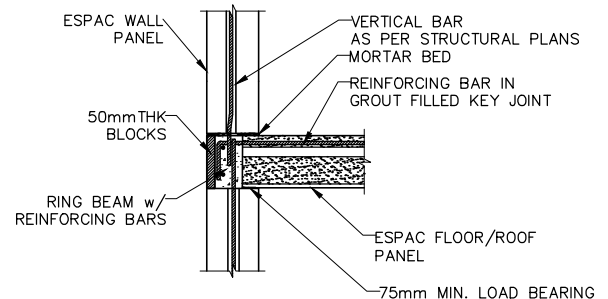
PLASTER C-C



TYPICAL GROUT KEY AND BOND BEAM REINFORCEMENT



TYPICAL SLAB ON GRADE & WALL CONNECTION DETAIL



TYPICAL SLAB & WALL CONNECTION DETAIL



Title: **FULL PANEL SYSTEM CONNECTION DETAIL - A**

**ENGINEERING DIVISION**

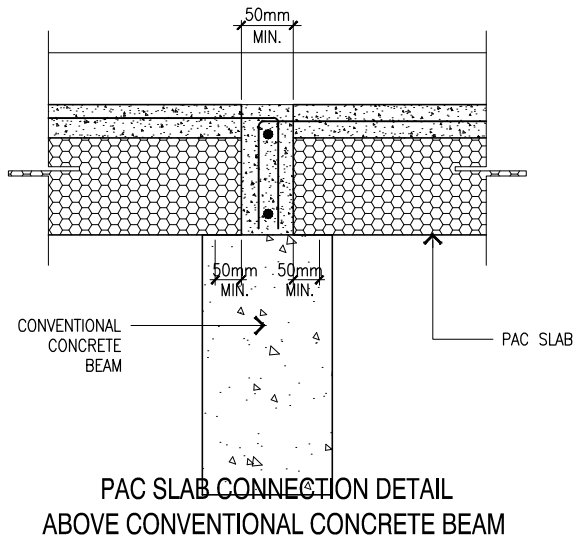
Date: DEC.2016

Scale: N.T.S

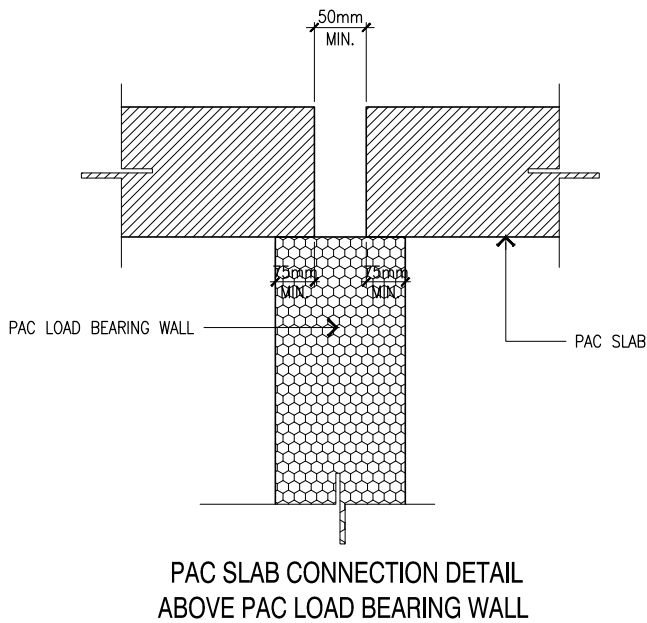
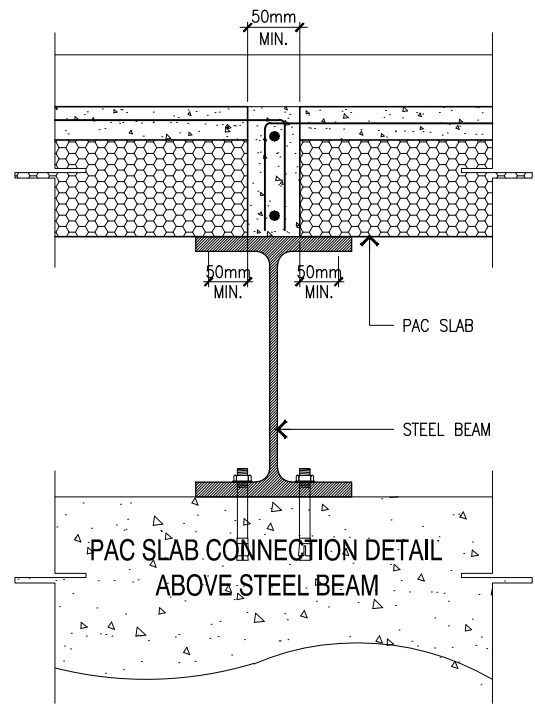
Detail No. EFPD-2

TEL No: +966 13 863 1111 FAX No: +966 13 863 2222  
2833 St. 49th ( St. 67th x St. 166th ) 2nd industrial City  
Dammam 34324 - 7333 Saudi Arabia

This drawing must be read in conjunction with all the ESPAC Structural Floor Panels Design Guide



PAC SLAB CONNECTION DETAIL  
ABOVE PAC LOAD BEARING WALL



Title: **FULL PANEL SYSTEM CONNECTION  
DETAIL - B**

**ENGINEERING DIVISION**

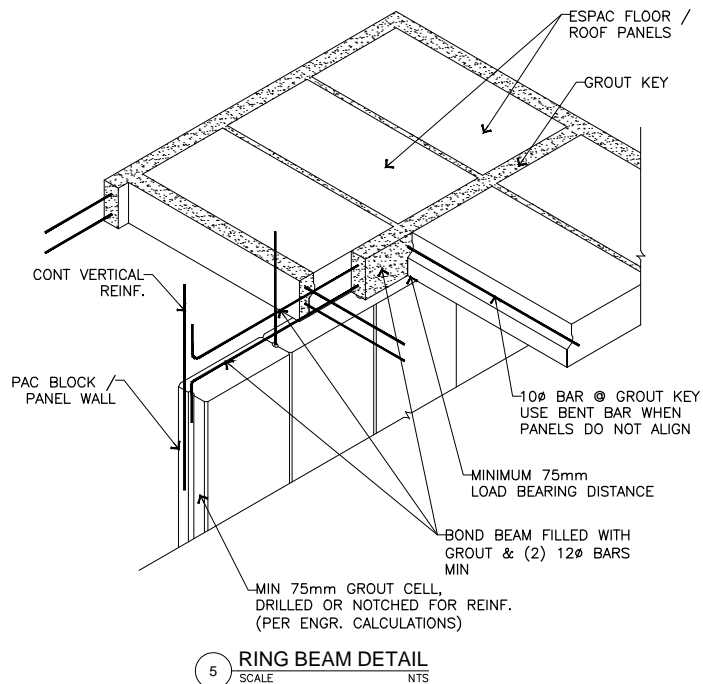
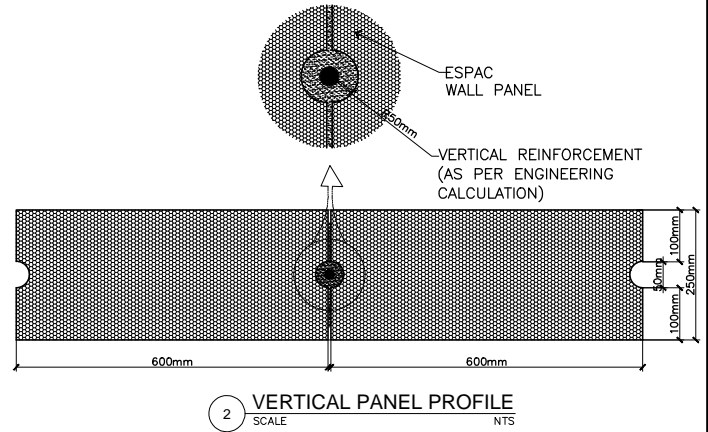
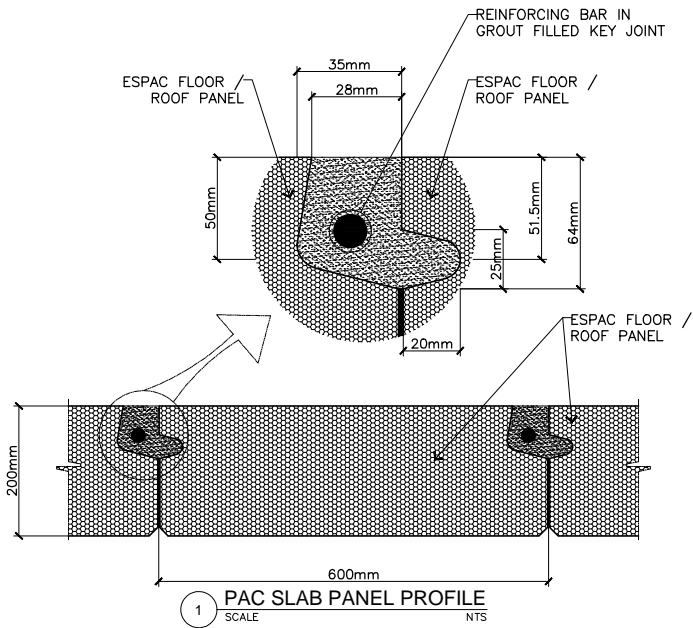
Date: DEC.2016

Scale: N.T.S

Detail No. EFPD-3

TEL No: +966 13 863 1111 FAX No: +966 13 863 2222  
2833 St. 49th ( St. 67th x St. 166th ) 2nd industrial City  
Dammam 34324 - 7333 Saudi Arabia

This drawing must be read in conjunction with all the ESPAC Structural Floor Panels Design Guide



Title: **FULL PANEL SYSTEM CONNECTION  
DETAIL - C**

**ENGINEERING DIVISION**

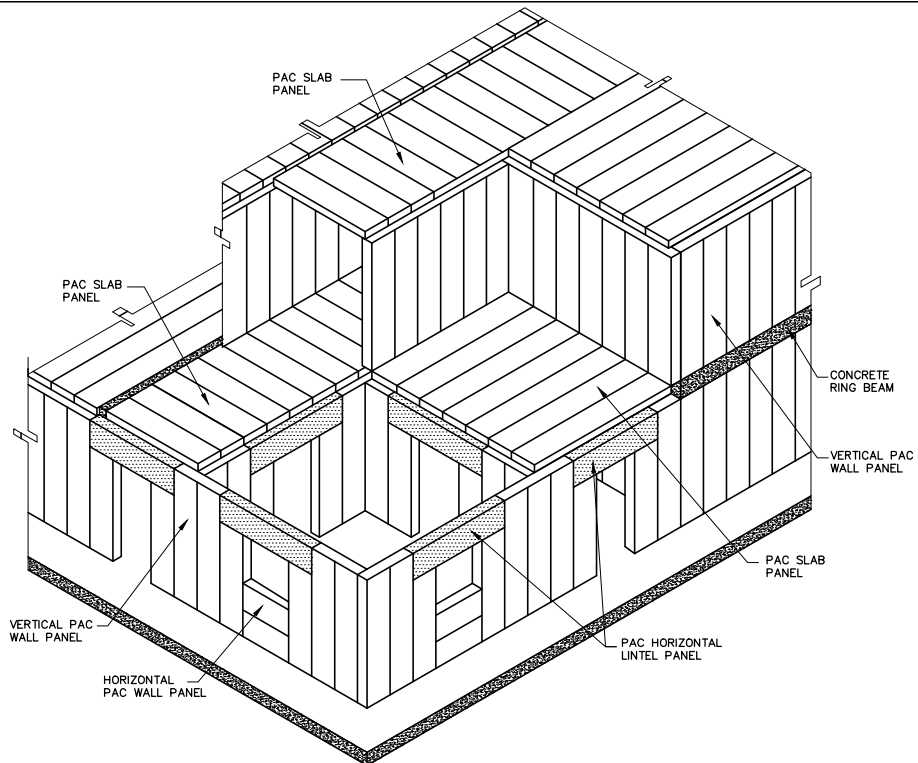
Date: DEC.2016

Scale: N.T.S

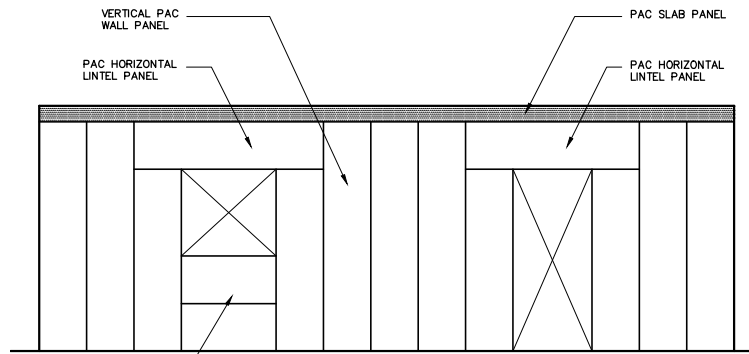
Detail No. EFPD-4

TEL No: +966 13 863 1111 FAX No: +966 13 863 2222  
2833 St. 49th ( St. 67th x St. 166th ) 2nd industrial City  
Dammam 34324 - 7333 Saudi Arabia

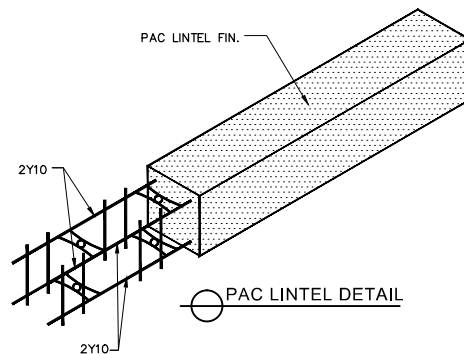
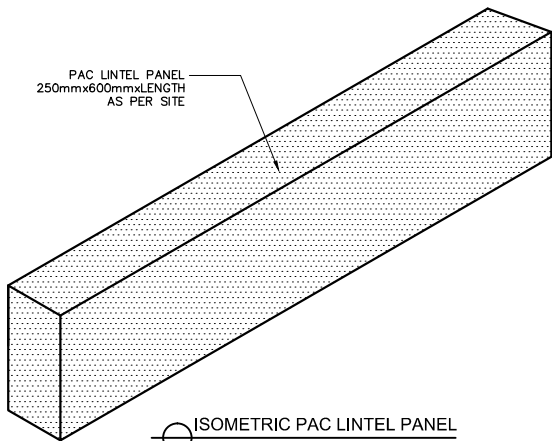
This drawing must be read in conjunction with all the ESPAC Structural Floor Panels Design Guide



○ ISOMETRIC PANEL SYSTEM



○ WALL PANEL ELEVATION SYSTEM



Title: FULL PANEL SYSTEM CONNECTION  
DETAIL - D

ENGINEERING DIVISION

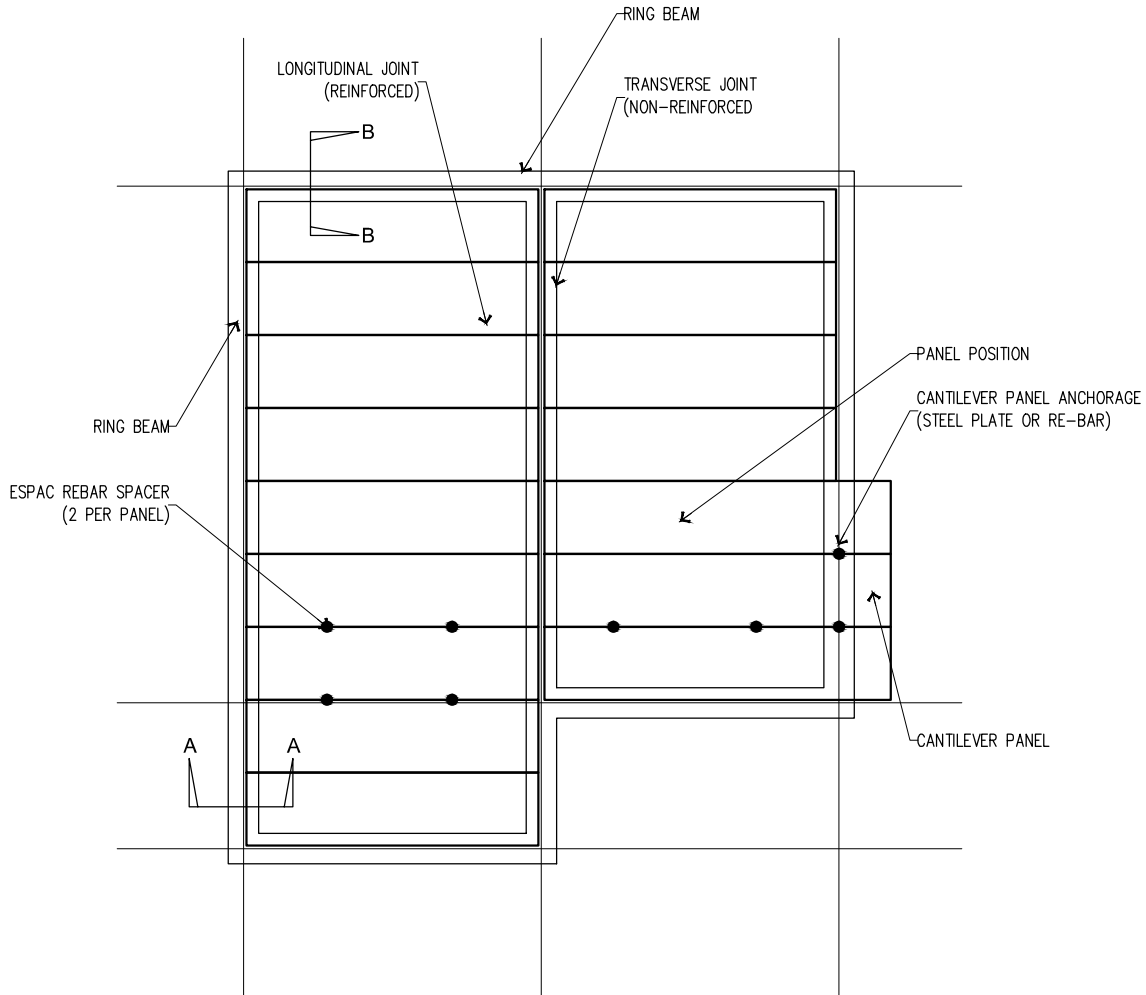
Date: DEC.2016

Scale: N.T.S

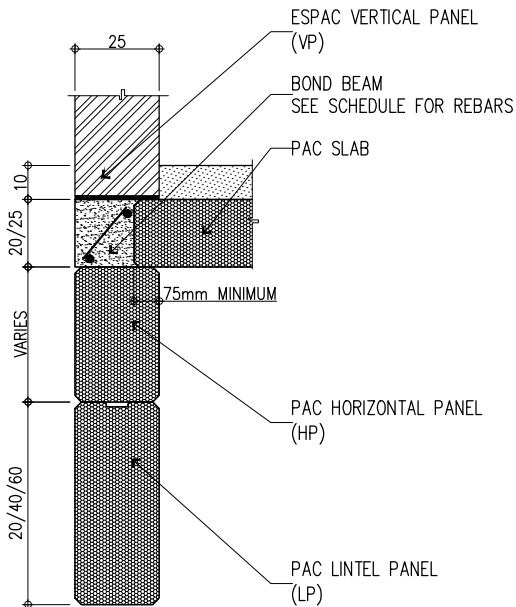
Detail No. EFPD-5

TEL No: +966 13 863 1111 FAX No: +966 13 863 2222  
2833 St. 49th ( St. 67th x St. 166th ) 2nd industrial City

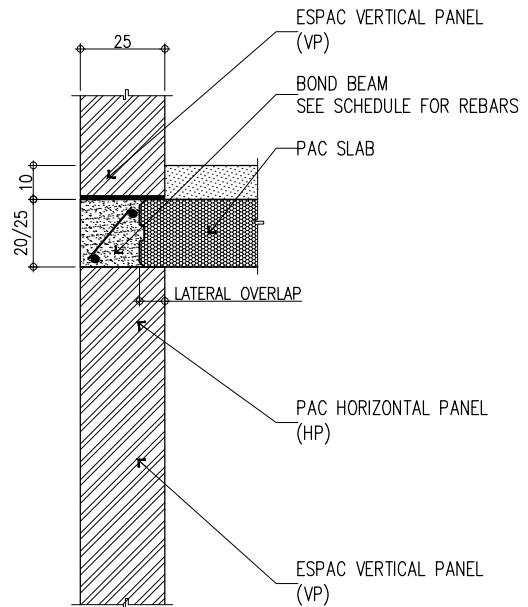
This drawing must be read in conjunction with all the ESPAC Structural Floor Panels Design Guide



## SLAB PANEL



SECTION A-A



SECTION B-B



Title: **FULL PANEL SYSTEM CONNECTION  
DETAIL - E**

**ENGINEERING DIVISION**

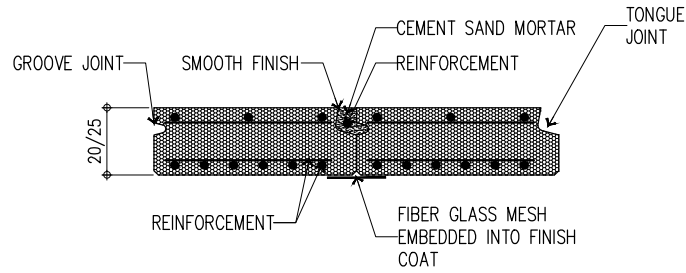
Date: DEC.2016

Scale: N.T.S

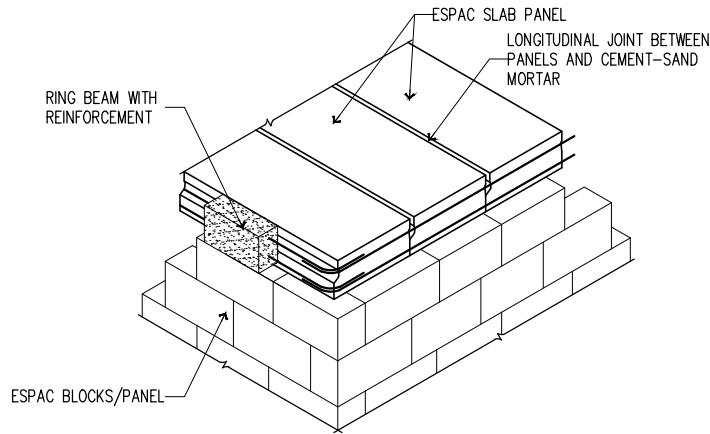
Detail No. EFPD-6

TEL No: +966 13 863 1111 FAX No: +966 13 863 2222  
2833 St. 49th ( St. 67th x St. 166th ) 2nd industrial City  
Dammam 34324 - 7333 Saudi Arabia

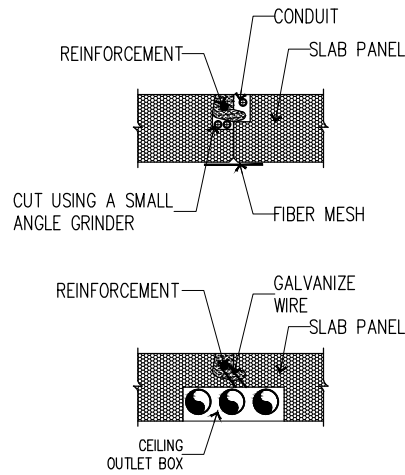
This drawing must be read in conjunction with all the ESPAC Structural Floor Panels Design Guide



**SLAB PANEL CROSS-SECTION VIEW**



**LONGITUDINAL JOINT AND RING BEAM**



**CEILING OUTLET BOX**



Title: **FULL PANEL SYSTEM CONNECTION  
DETAIL - F**

**ENGINEERING DIVISION**

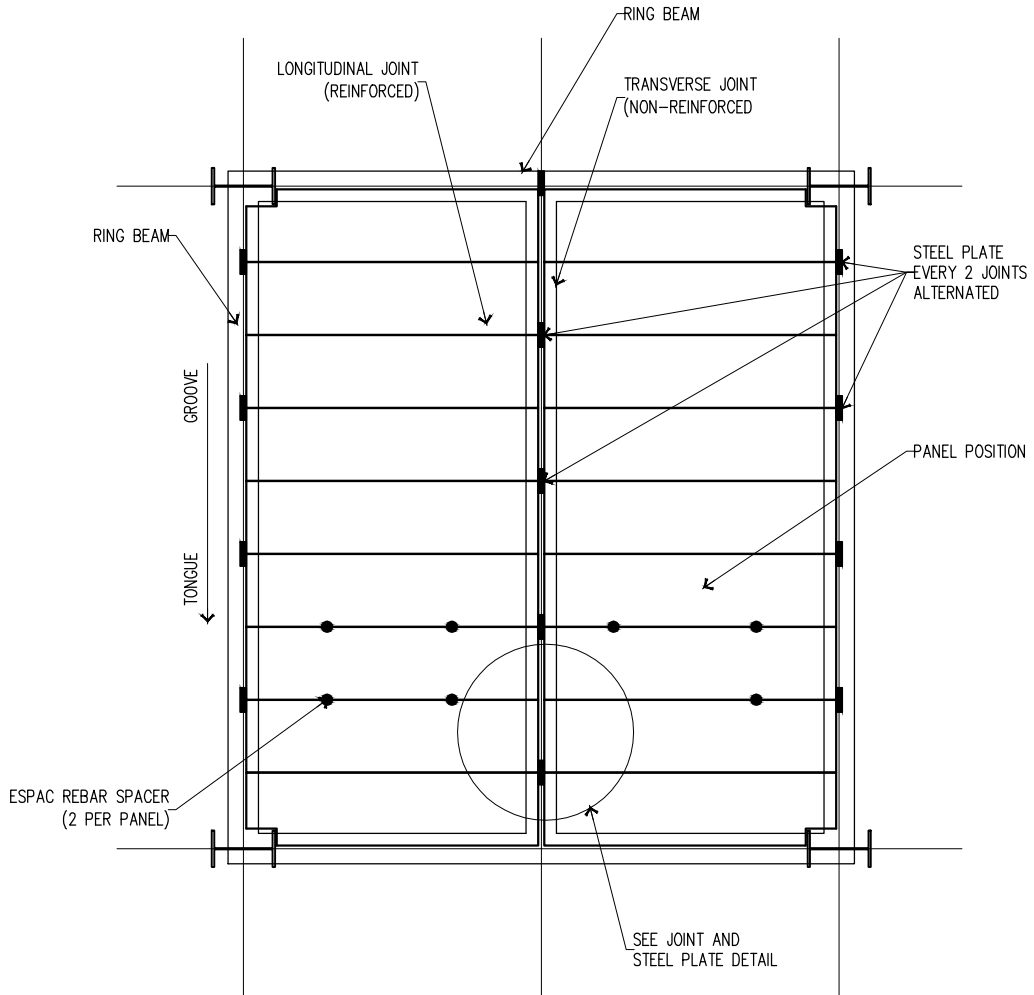
Date: DEC.2016

Scale: N.T.S

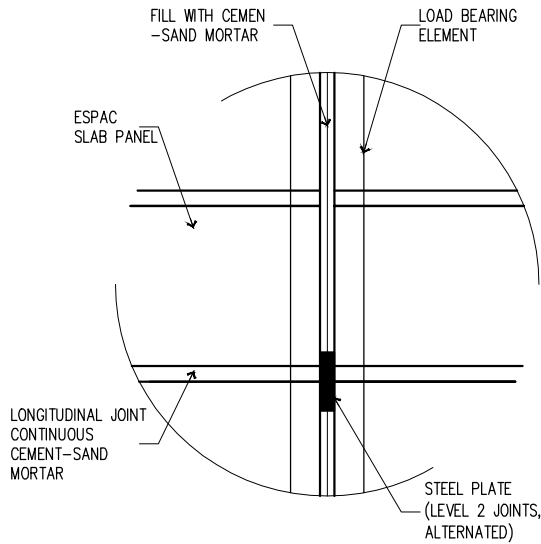
Detail No. EFPD-7

TEL No: +966 13 863 1111 FAX No: +966 13 863 2222  
2833 St. 49th ( St. 67th x St. 166th ) 2nd industrial City  
Dammam 34324 - 7333 Saudi Arabia

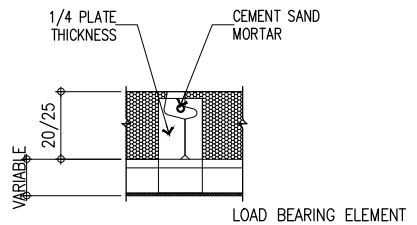
This drawing must be read in conjunction with all the ESPAC Structural Floor Panels Design Guide



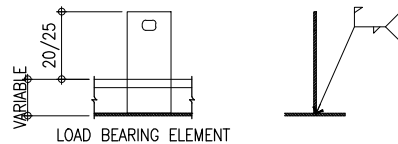
## SLAB PANEL



**JOINT DETAIL**



**SECTION A-A**



**PLATE DETAIL**



Title: **FULL PANEL SYSTEM CONNECTION  
DETAIL - G**

**ENGINEERING DIVISION**

Date: DEC.2016

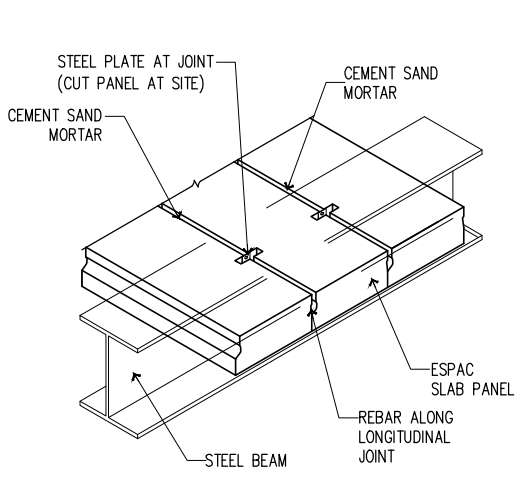
Scale: N.T.S

Detail No. EFPD-8

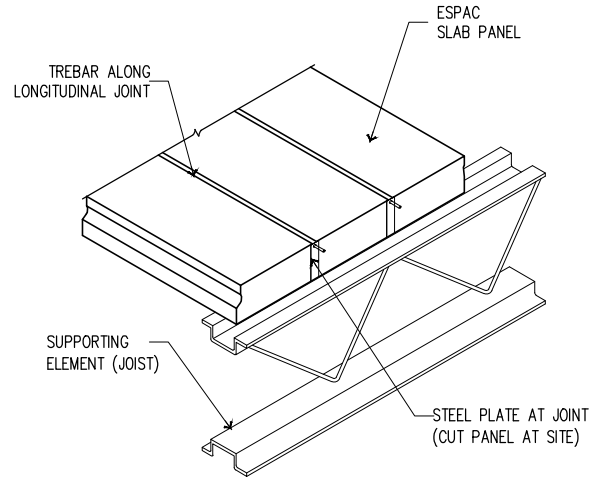
TEL No: +966 13 863 1111 FAX No: +966 13 863 2222  
2833 St. 49th ( St. 67th x St. 166th ) 2nd industrial City  
Dammam 34324 - 7333 Saudi Arabia

This drawing must be read in conjunction with all the ESPAC Structural Floor Panels Design Guide

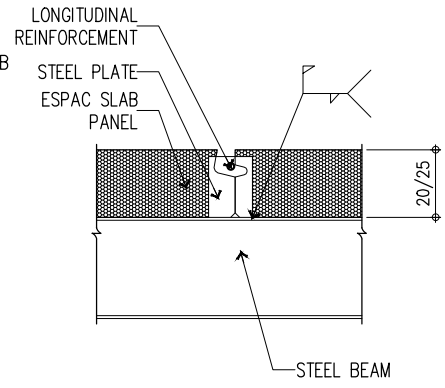
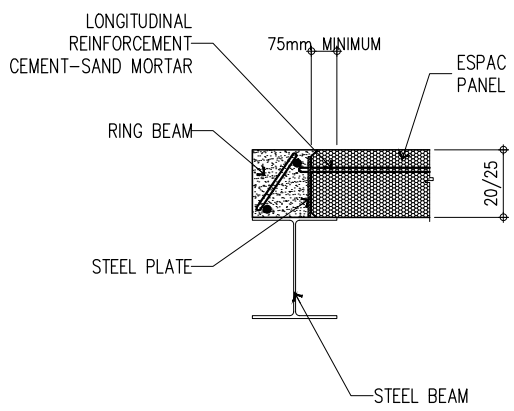




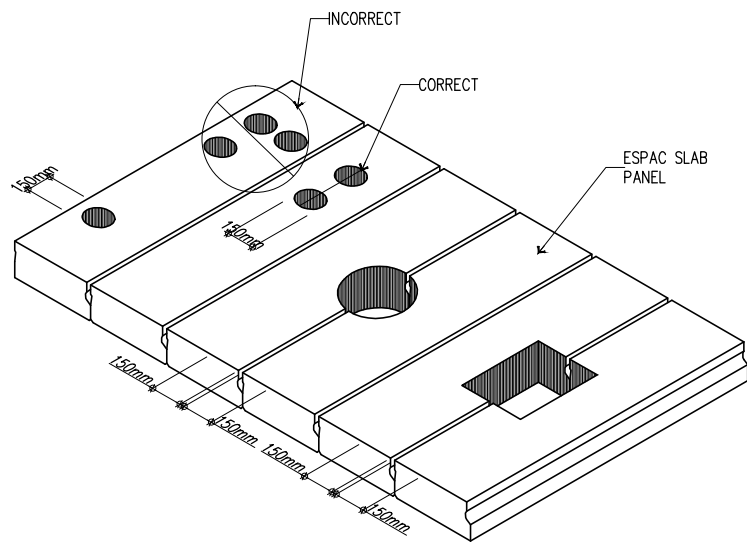
**CANTILIVER PANEL ANCHORAGE**



**STEEL PLATE CONNECTION**



**PLATE DETAIL**



**MAXIMUM DIMENSION OF HOLES THROUGH PANEL**



Title: **FULL PANEL SYSTEM CONNECTION  
DETAIL - H**

**ENGINEERING DIVISION**

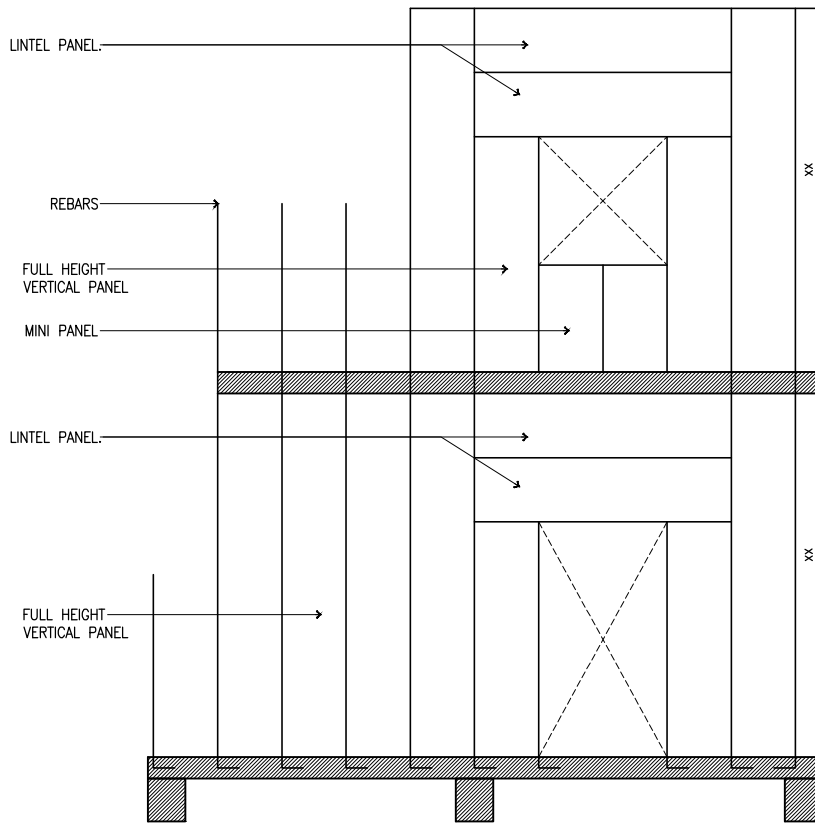
Date: DEC.2016

Scale: N.T.S

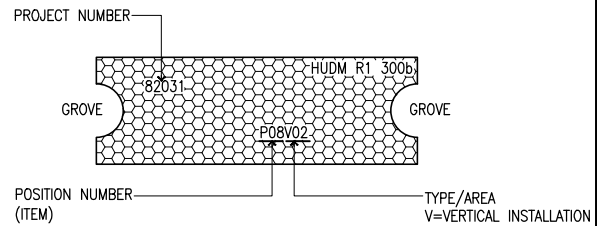
Detail No. EFPD-9

TEL No: +966 13 863 1111 FAX No: +966 13 863 2222  
2833 St. 49th ( St. 67th x St. 166th ) 2nd industrial City  
Dammam 34324 - 7333 Saudi Arabia

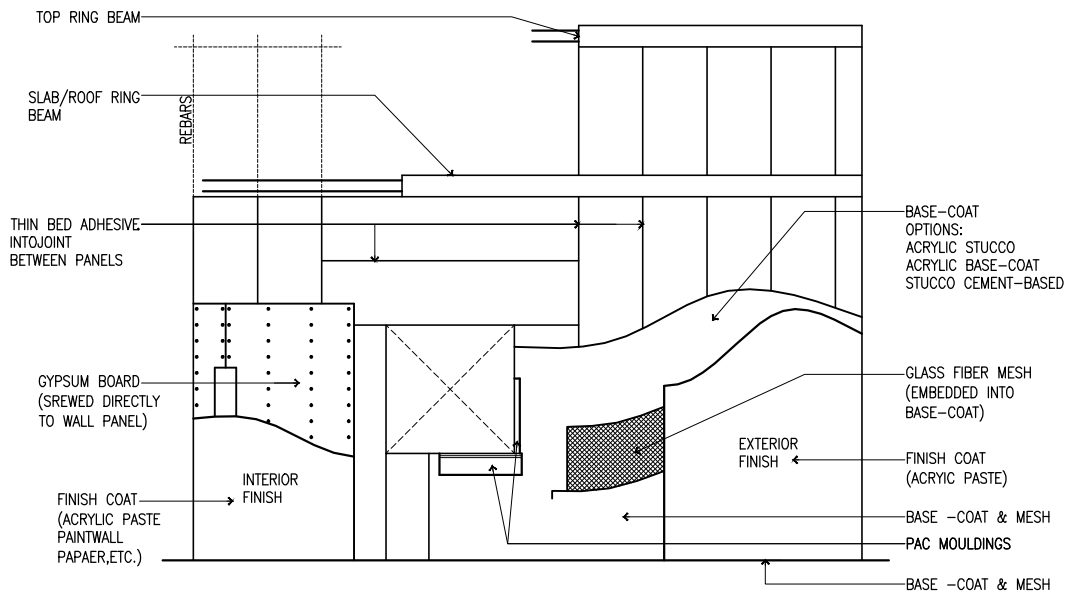
This drawing must be read in conjunction with all the ESPAC Structural Floor Panels Design Guide



WALL PANEL SYSTEM ELEMENTS



WALL PANEL IDENTIFICATION



EXTERIOR & INTERIOR FINISH OPTIONS ON LOAD BEARING WALL PANELS



Title: **FULL PANEL SYSTEM CONNECTION  
DETAIL - WALL ELEVATION**

**ENGINEERING DIVISION**

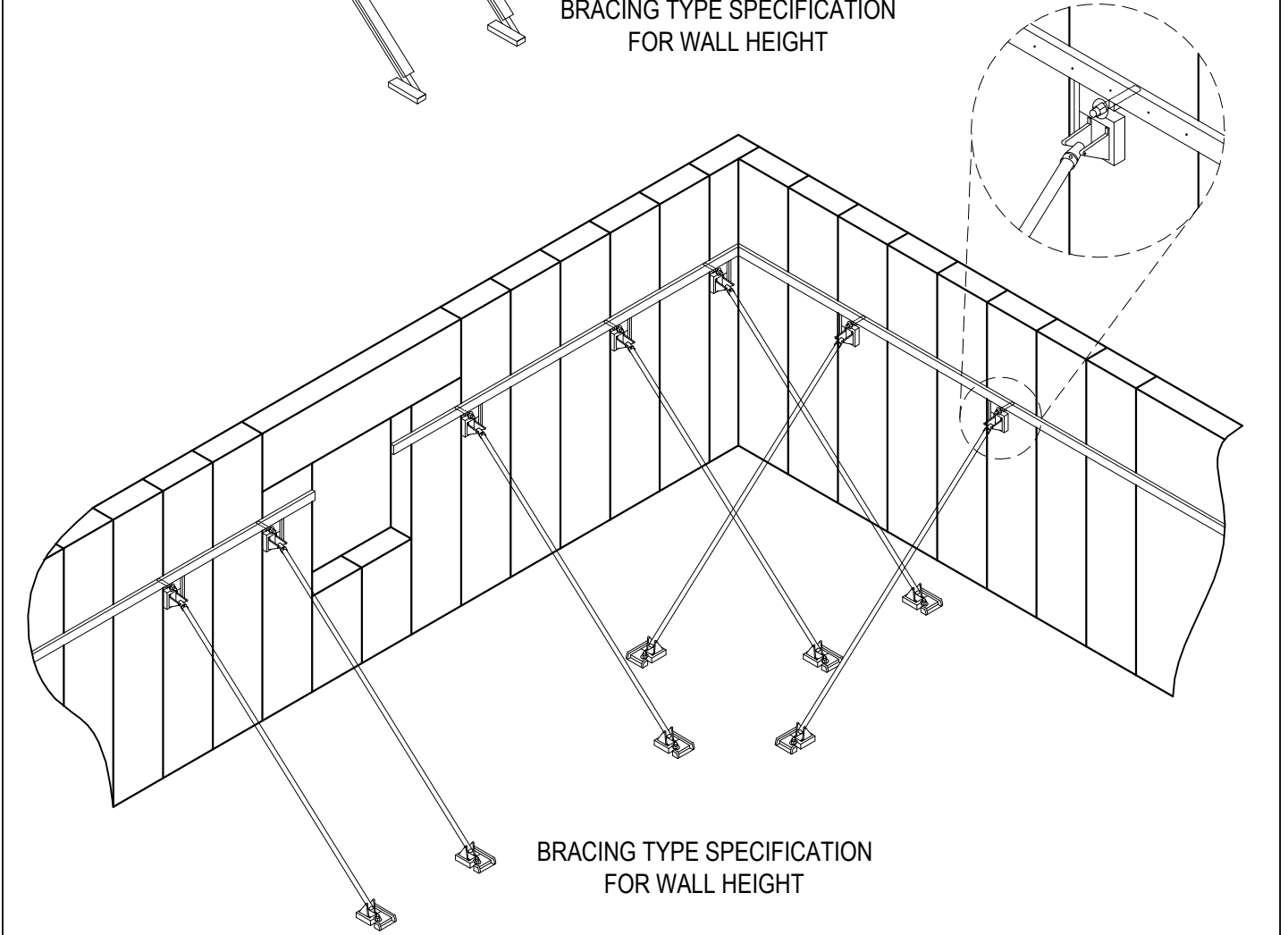
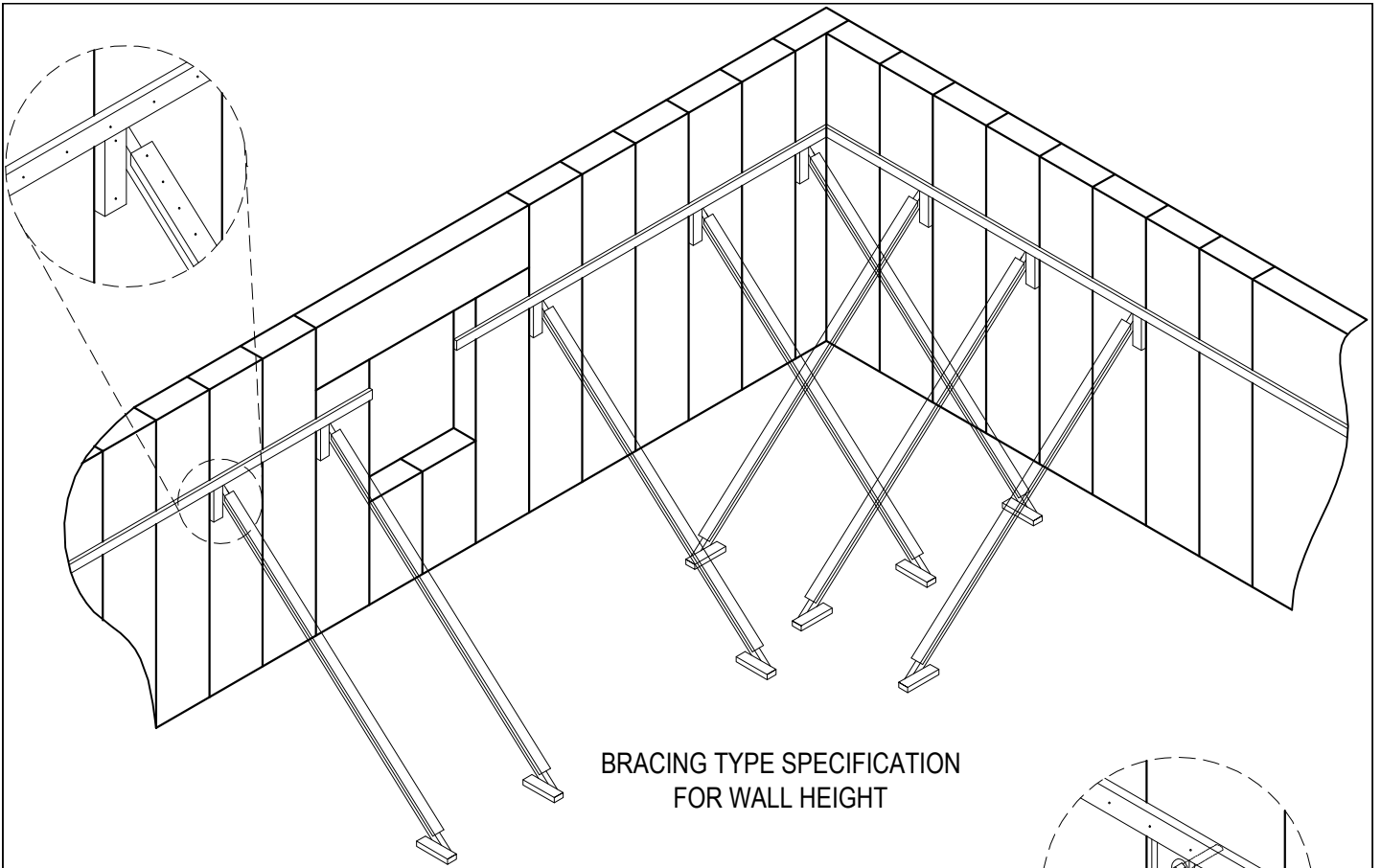
Date: DEC.2016

Scale: N.T.S

Detail No. EFPD-10

TEL No: +966 13 863 1111 FAX No: +966 13 863 2222  
2833 St. 49th ( St. 67th x St. 166th ) 2nd industrial City  
Dammam 34324 - 7333 Saudi Arabia

This drawing must be read in conjunction with all the ESPAC Structural Floor Panels Design Guide



Title: **FULL PANEL SYSTEM CONNECTION  
DETAIL - WALL BRACING**

**ENGINEERING DIVISION**

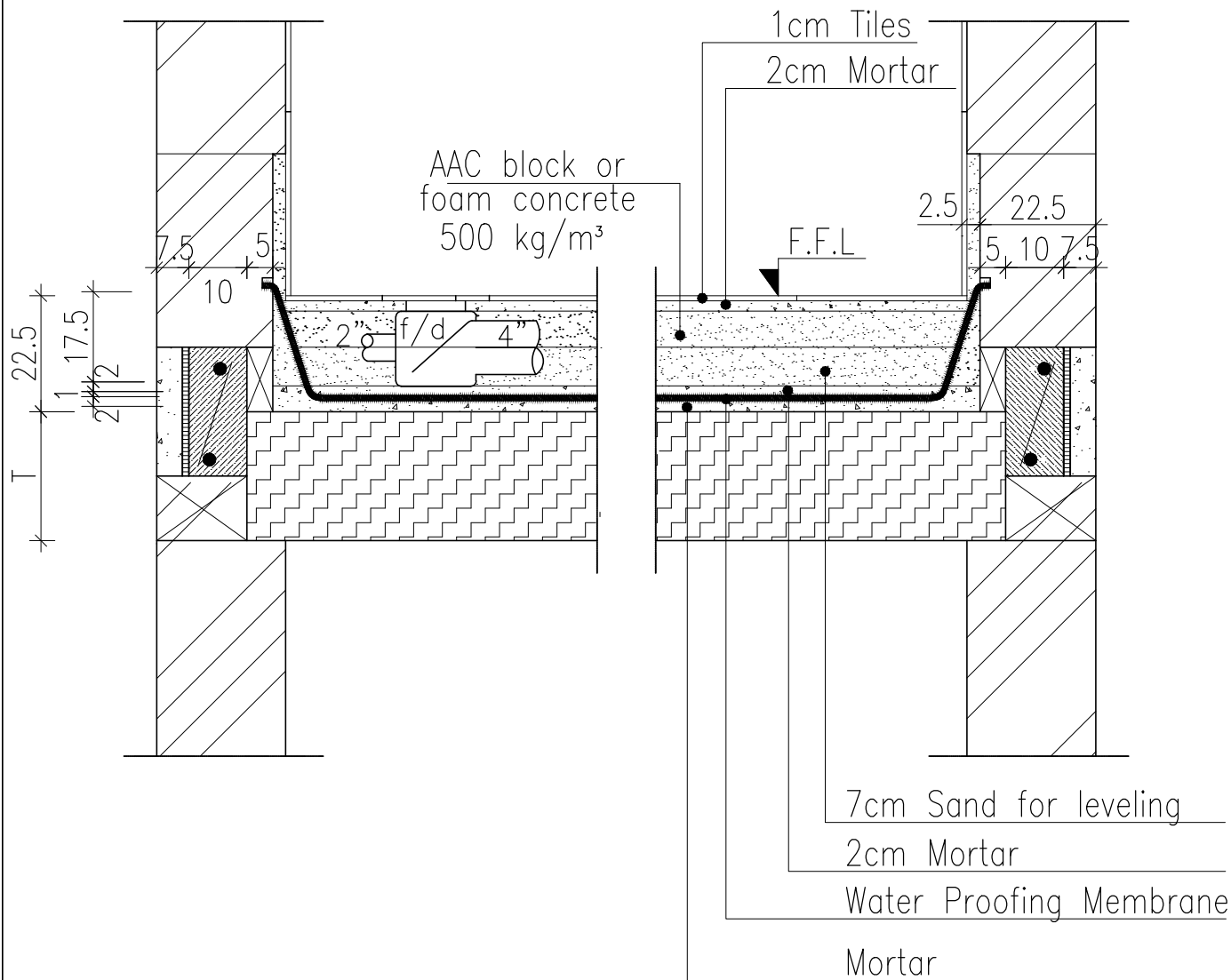
Date: DEC.2016

Scale: N.T.S

Detail No. EFPD-11

TEL No: +966 13 863 1111 FAX No: +966 13 863 2222  
2833 St. 49th ( St. 67th x St. 166th ) 2nd industrial City  
Dammam 34324 - 7333 Saudi Arabia

This drawing must be read in conjunction with all the ESPAC Structural Floor Panels Design Guide



## TYPICAL DETAIL FOR WET AREAS



Title: **FULL PANEL SYSTEM CONNECTION  
DETAIL - WET AREAS**

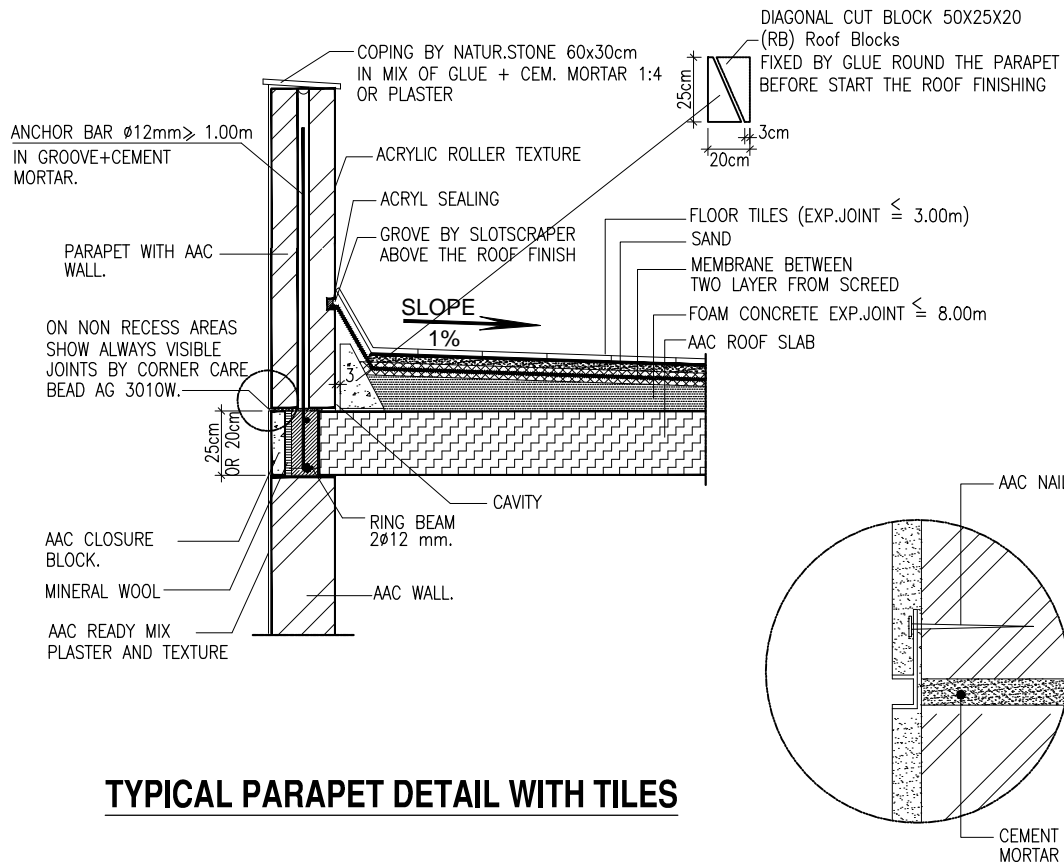
**ENGINEERING DIVISION**  
TEL No: +966 13 863 1111 FAX No: +966 13 863 2222  
2833 St. 49th ( St. 67th x St. 166th ) 2nd industrial City  
Dammam 34324 - 7333 Saudi Arabia

Date: DEC.2016

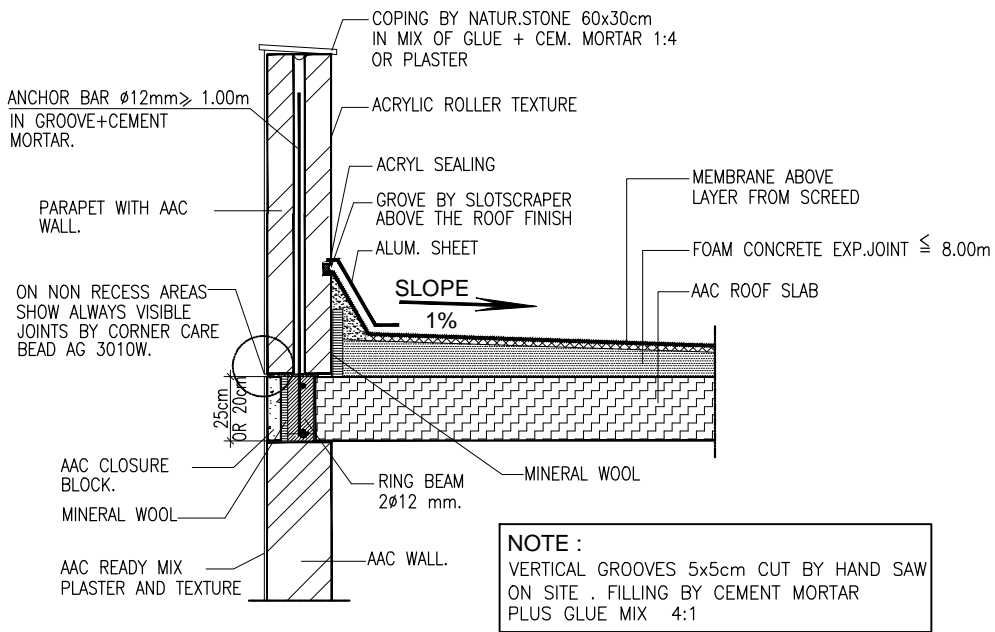
Scale: N.T.S

Detail No. EFPD-12

This drawing must be read in conjunction with all the ESPAC Structural Floor Panels Design Guide



**TYPICAL PARAPET DETAIL WITH TILES**



**TYPICAL PARAPET DETAIL WITHOUT TILES**



Title: **TYPICAL PARAPET DETAIL WITH TILES & WITHOUT TILES**

**ENGINEERING DIVISION**

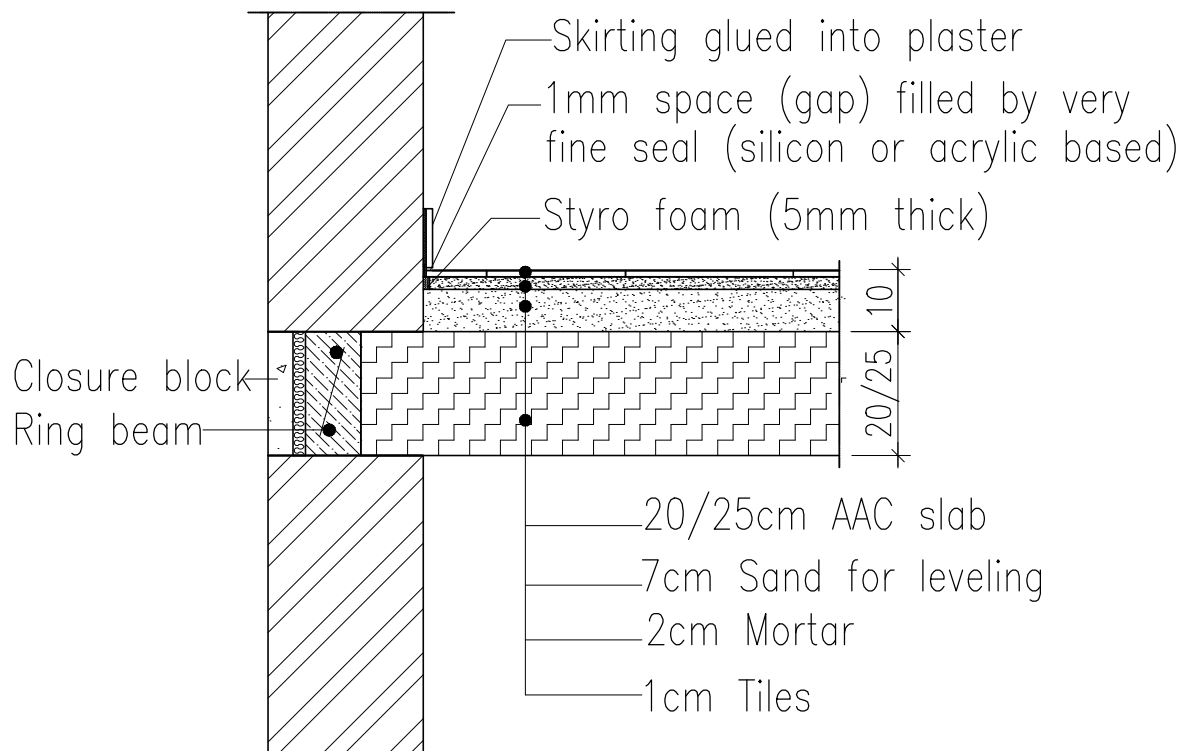
Date: DEC.2016

Scale: N.T.S

Detail No. EFPD-13

TEL No: +966 13 863 1111 FAX No: +966 13 863 2222  
2833 St. 49th ( St. 67th x St. 166th ) 2nd industrial City  
Dammam 34324 - 7333 Saudi Arabia

This drawing must be read in conjunction with all the ESPAC Structural Floor Panels Design Guide



## Typical Detail for Floor Finishing



Title:

TYPICAL DETAIL FOR FLOOR FINISHING

ENGINEERING DIVISION

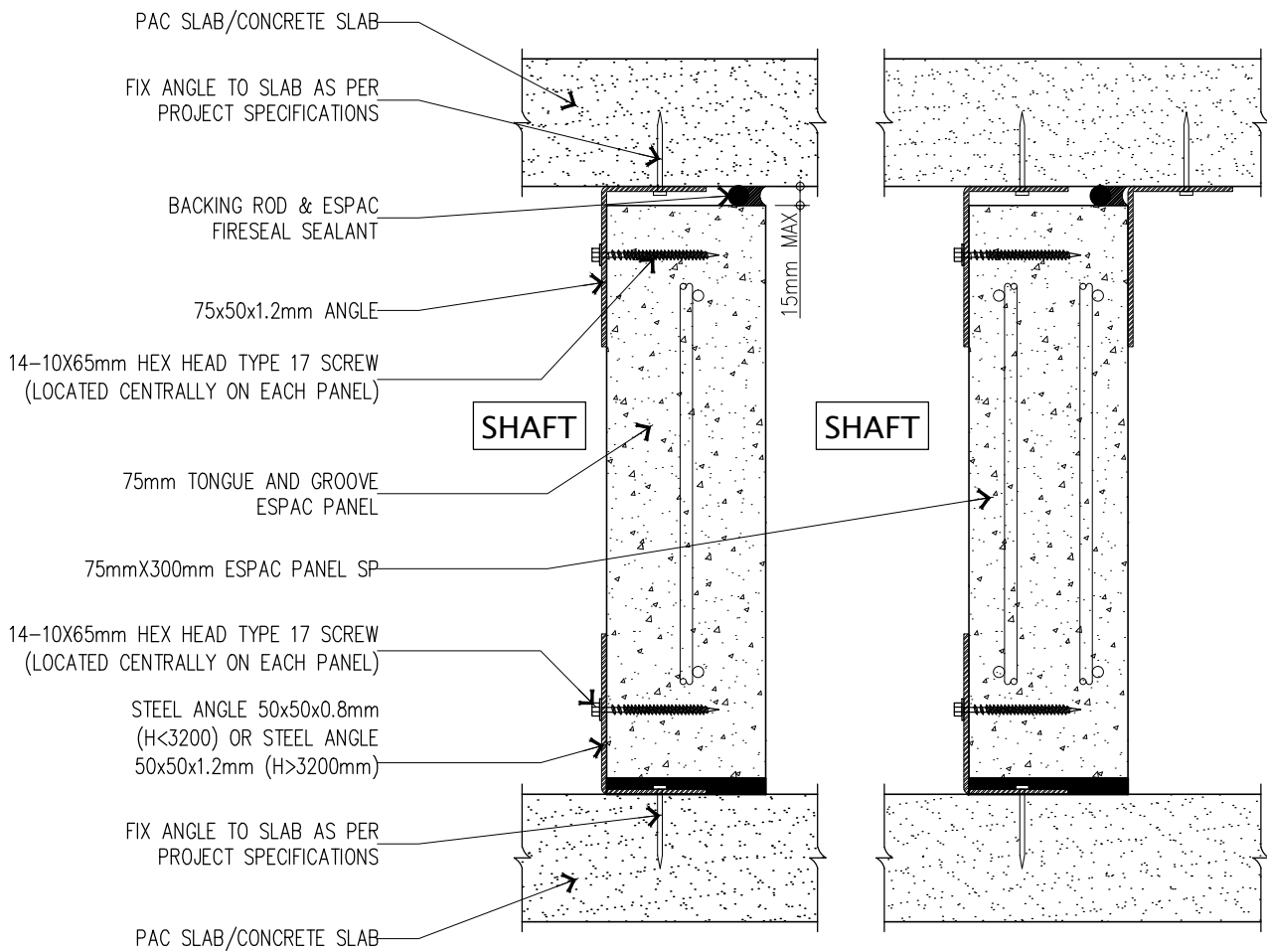
Date: DEC.2016

Scale: N.T.S

Detail No. EFPD-14

TEL No: +966 13 863 1111 FAX No: +966 13 863 2222  
2833 St. 49th ( St. 67th x St. 166th ) 2nd industrial City  
Dammam 34324 - 7333 Saudi Arabia

This drawing must be read in conjunction with all the ESPAC Structural Floor Panels Design Guide



Title:

## SHAFT WALL DETAIL

### ENGINEERING DIVISION

Date: DEC.2016

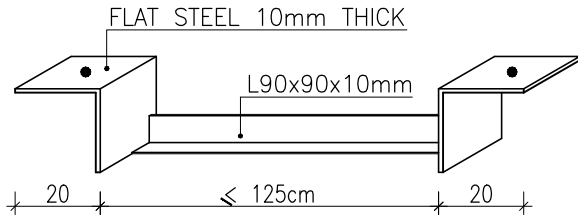
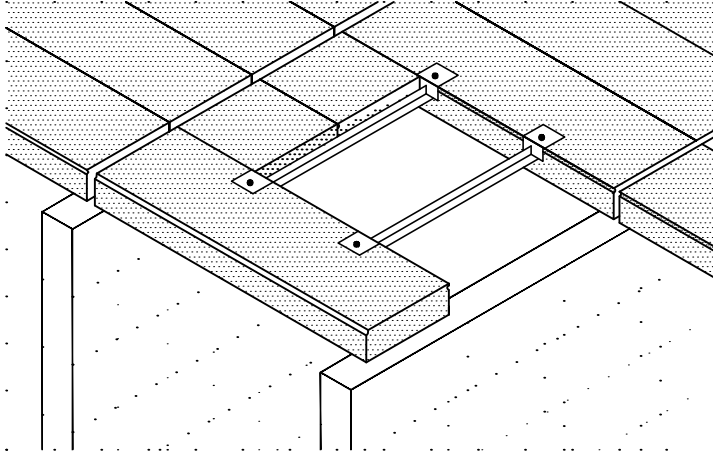
Scale: N.T.S

Detail No. EFPD-15

TEL No: +966 13 863 1111 FAX No: +966 13 863 2222  
2833 St. 49th ( St. 67th x St. 166th ) 2nd industrial City  
Dammam 34324 - 7333 Saudi Arabia

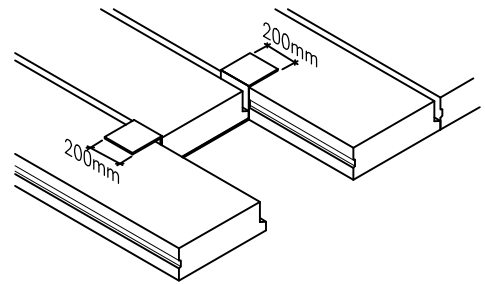
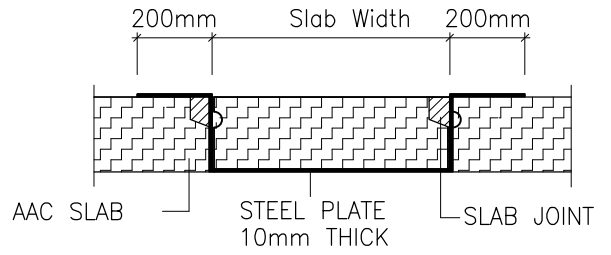
This drawing must be read in conjunction with all the ESPAC Structural Floor Panels Design Guide

### STEEL HANGER UP TO TWO SLABS

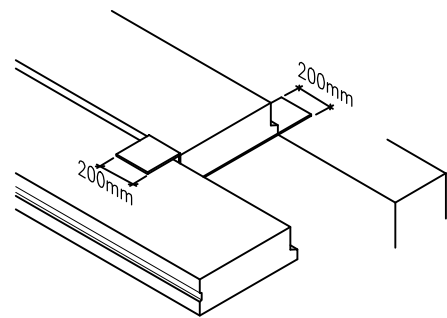
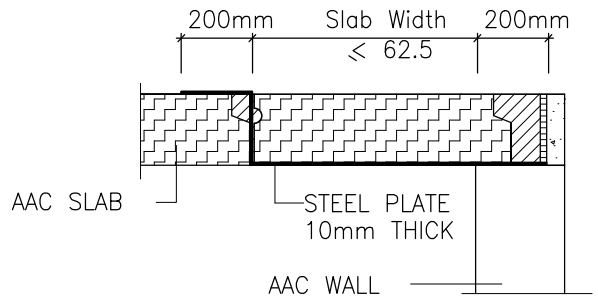


**1** STEEL HANGER DETAIL  
S-27 SCALE NTS

### STEEL HANGER FOR ONE SLAB



### OPENING BESIDE WALL



Title:

**STEEL HANGER DETAIL**

**ENGINEERING DIVISION**

Date: DEC.2016

Scale: N.T.S

Detail No. EFPD-16

TEL No: +966 13 863 1111 FAX No: +966 13 863 2222  
2833 St. 49th ( St. 67th x St. 166th ) 2nd industrial City  
Dammam 34324 - 7333 Saudi Arabia

This drawing must be read in conjunction with all the ESPAC Structural Floor Panels Design Guide