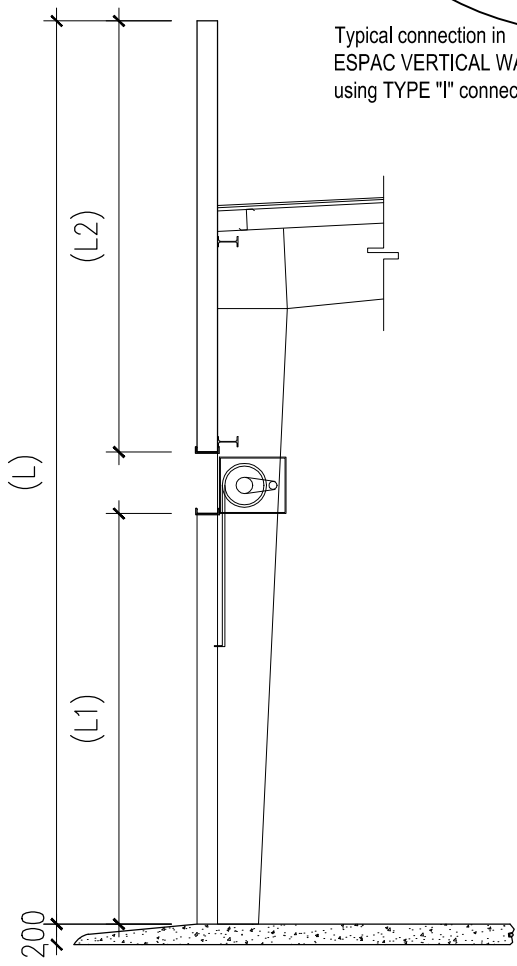
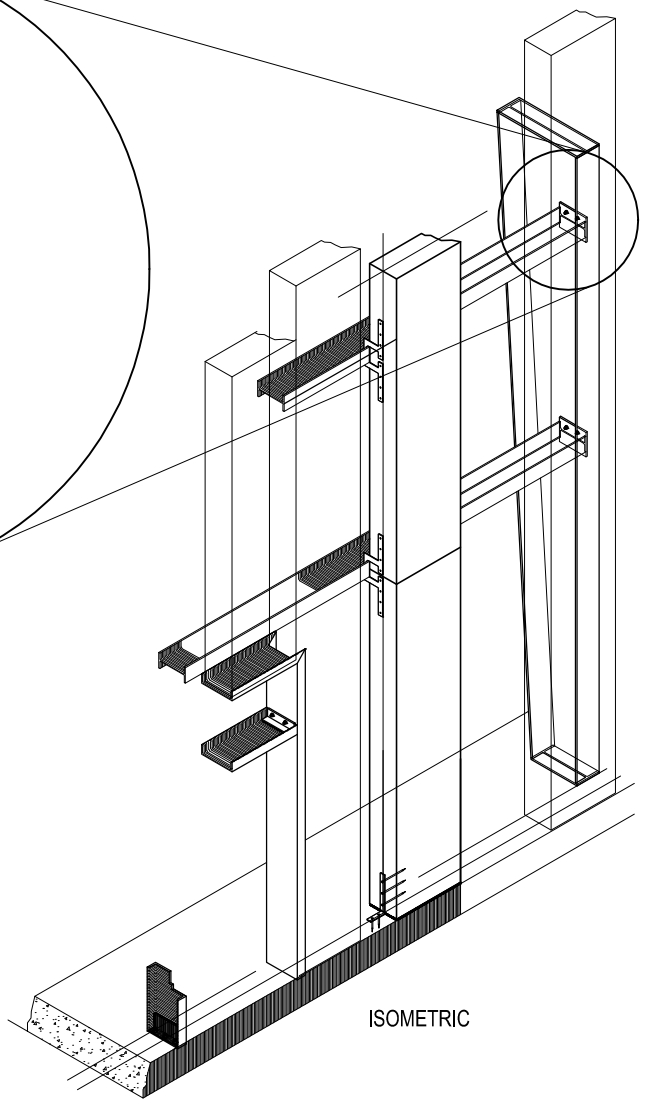


Typical connection in ESPAC VERTICAL WALL PANELS using TYPE "I" connector



BAY SECTION DETAIL

A VERTICAL WALL PANEL INSTALLATION

SCALE NTS



Title: **VERTICAL WALL PANEL INSTALLATION FOR STEEL FRAMING CLADDING - A**

ENGINEERING DIVISION

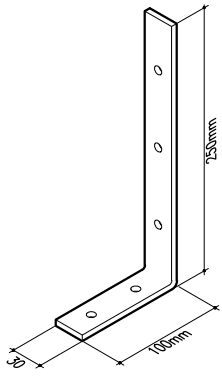
Date: DEC.2016

Scale: N.T.S

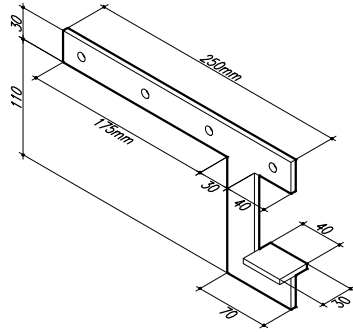
Detail No. ECWD-1

TEL No: +966 13 863 1111 FAX No: +966 13 863 2222
2833 St. 49th (St. 67th x St. 166th) 2nd industrial City
Dammam 34324 - 7333 Saudi Arabia

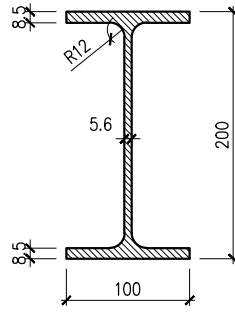
This drawing must be read in conjunction with all the ESPAC Structural Floor Panels Design Guide



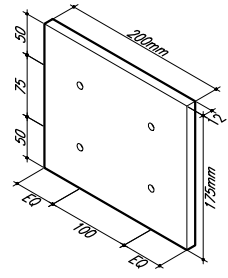
DETAIL-1
(Type "B" connector - 4mmTHK)



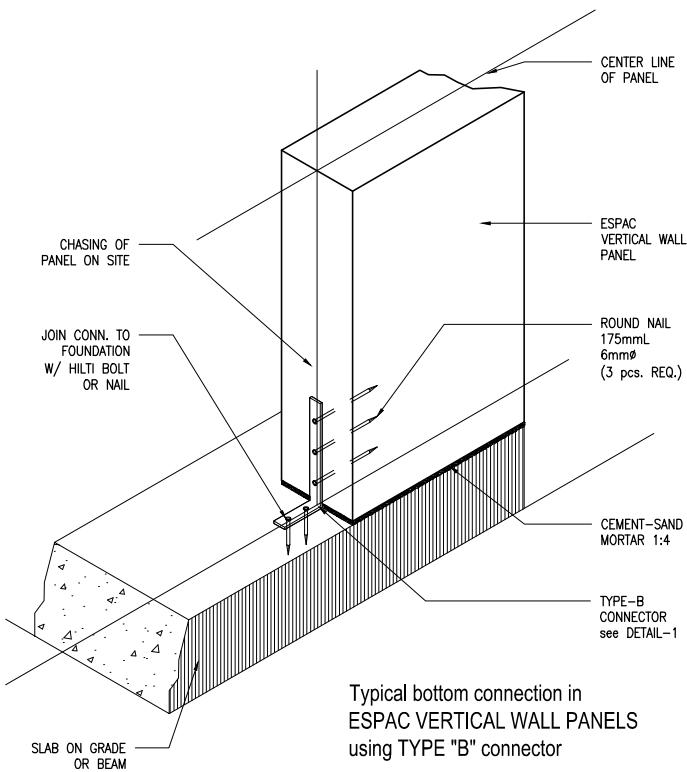
DETAIL-2
(Type "C" connector - 4mmTHK)



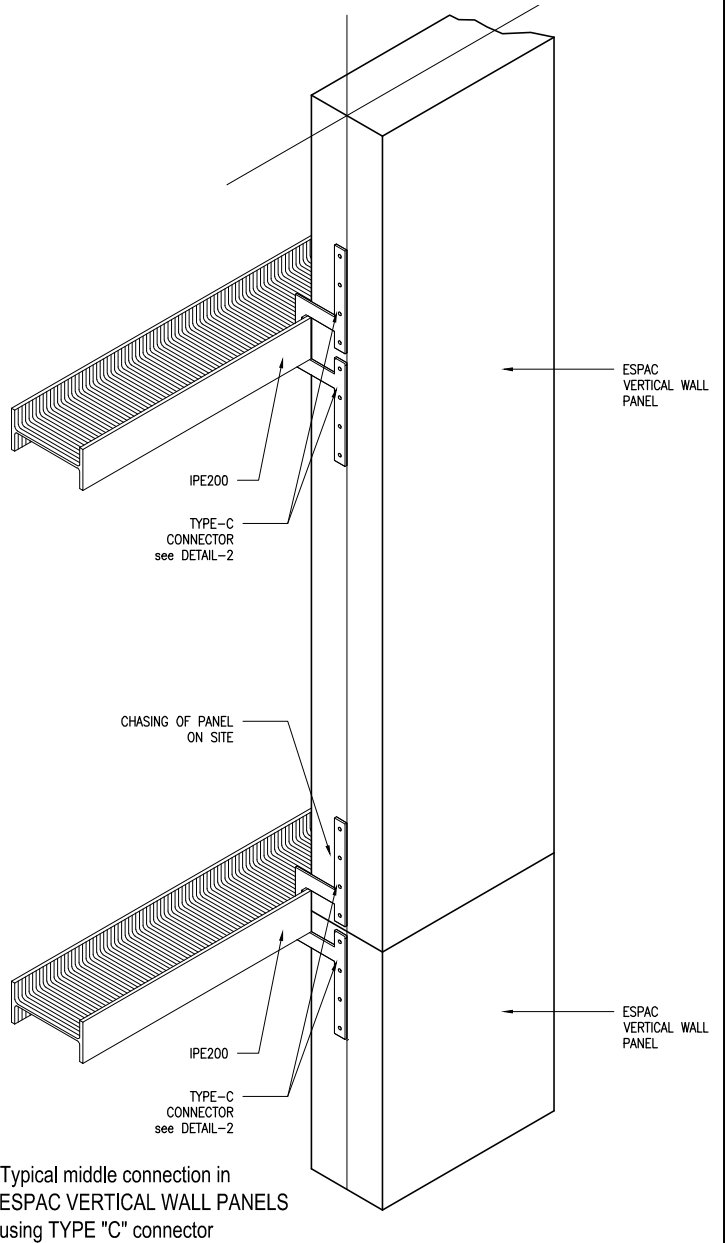
DETAIL-3
IPE200



DETAIL-4
(Type "I" connector)



Typical bottom connection in
ESPAC VERTICAL WALL PANELS
using TYPE "B" connector



Typical middle connection in
ESPAC VERTICAL WALL PANELS
using TYPE "C" connector



VERTICAL WALL PANEL INSTALLATION

SCALE

NTS



Title: **VERTICAL WALL PANEL INSTALLATION FOR STEEL FRAMING CLADDING - B**

ENGINEERING DIVISION

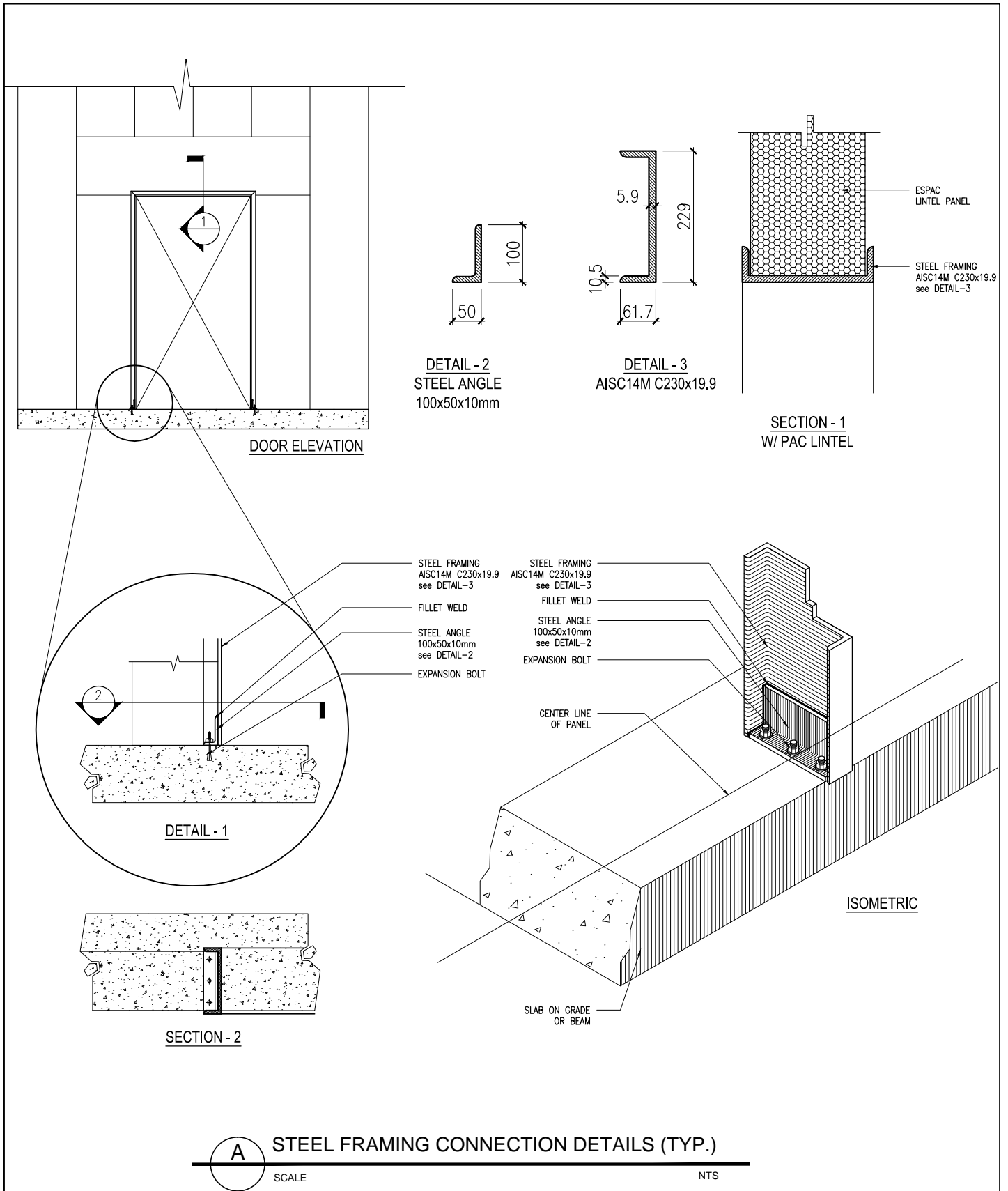
Date: DEC.2016

Scale: N.T.S

Detail No. ECWD-2

TEL No: +966 13 863 1111 FAX No: +966 13 863 2222
2833 St. 49th (St. 67th x St. 166th) 2nd industrial City
Dammam 34324 - 7333 Saudi Arabia

This drawing must be read in conjunction with all the ESPAC Structural Floor Panels Design Guide



Title: **STEEL FRAMING CONNECTION DETAILS - A (TYP.)**

ENGINEERING DIVISION

Date: DEC.2016

Scale: N.T.S

Detail No. ECWD-3

TEL No: +966 13 863 1111 FAX No: +966 13 863 2222
 2833 St. 49th (St. 67th x St. 166th) 2nd industrial City
 Dammam 34324 - 7333 Saudi Arabia

This drawing must be read in conjunction with all the ESPAC Structural Floor Panels Design Guide